

PRODUCT INFORMATION AND SPECIFICATION SHEET

WALL OUTLETS – 82 MM



WALL OUTLETS – 82 MM || PRODUCT INFORMATION

DESCRIPTION

Meljac's 82 mm surface mounted wall outlet assembly can accommodate one power receptacle or low-voltage port. The specified components are included with the plate assembly.

Made in France.

PERSONALIZED PLATE DETAILS

FINISHES

Cover plates are made-to-order in any of the finishes included in the [Meljac Finish Catalog](#). Meljac offers over 30 finishes in materials including chrome, copper, gunmetal, nickel, brass and bronze.

Powdercoating is available in any specification from the [RAL Color Chart](#).

Custom-matched finish options are also available, dependent upon project size and finish details.

RECEPTACLE AND PORT OPTIONS

- 15A 125VAC TR Receptacle (Black or White)
- 20A 125VAC TR Receptacle (Black or White)
- USB-A Charging Port (2.1A 5VDC)
- RJ45 Data Receptacle (Cat6)
- RJ11 Phone Jack Receptacle
- Speaker Binding Posts
- F Connector Cable Receptacle
- Cable pass-through

Please contact Meljac North America for any specialized port requests or questions.

SCREW TYPE

- Visible - Torx Head
- Visible - Slot Head
- Hidden

EDGE TYPE

- Beveled
- Straight

RECEPTACLE COVERS

- No covers
- Single cover
- Dual covers

GFI/GFCI LOCATIONS

Meljac does not offer a GFI receptacle. To satisfy code in locations like kitchens or bathrooms, our standard 15A or 20A receptacles can be used with a GFCI breaker at the electrical panel or by using an inline GFI device.

BACK BOX

MELUS8282R - Required metal ring for 3rd party 4" x 4" electrical boxes.

See [Plate Size & Back Box Guide](#) for more information.

Proprietary Meljac back boxes are stocked and available for immediate purchase from Meljac North America.

Note: back boxes must be installed at a perfectly level position to prevent a crooked plate installation.

CERTIFICATION

Conforms to UL 514A and CSA22.2 18 IP20



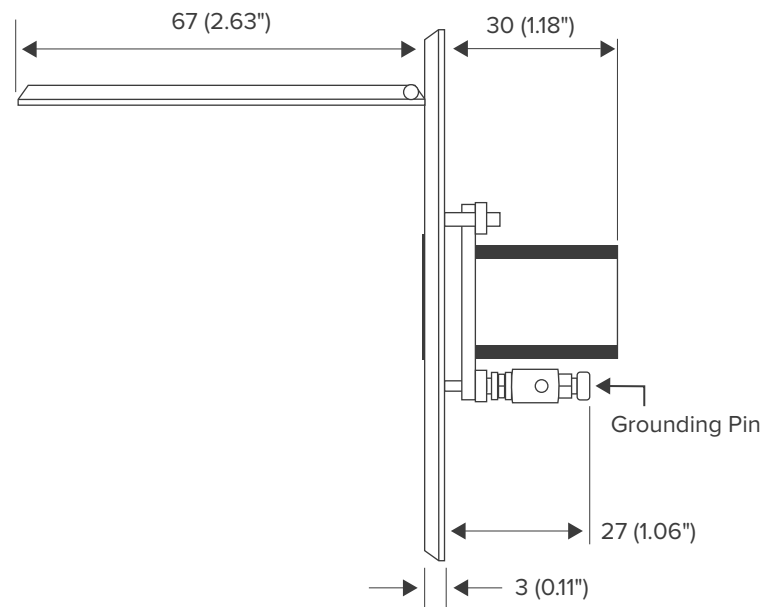
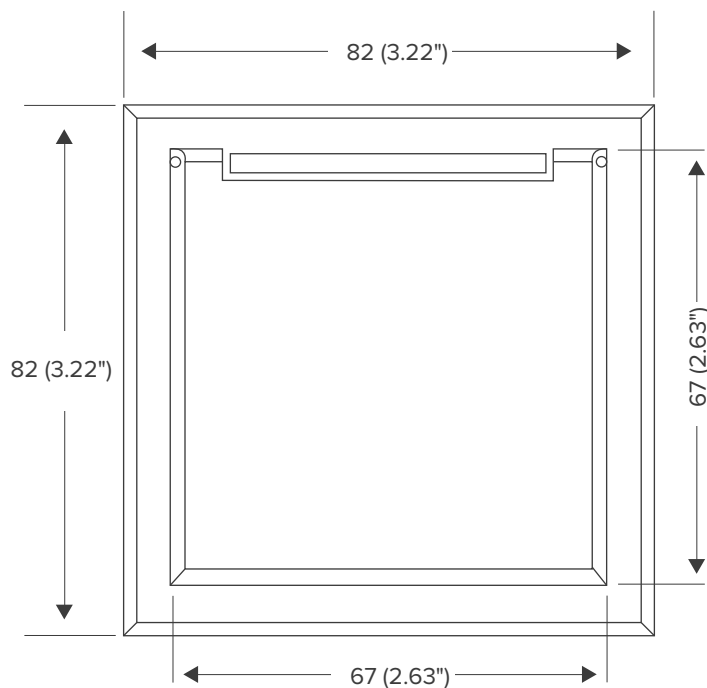
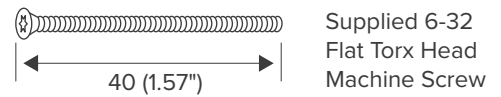
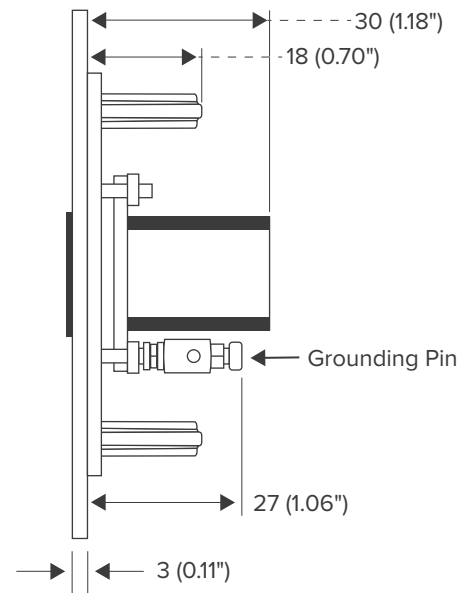
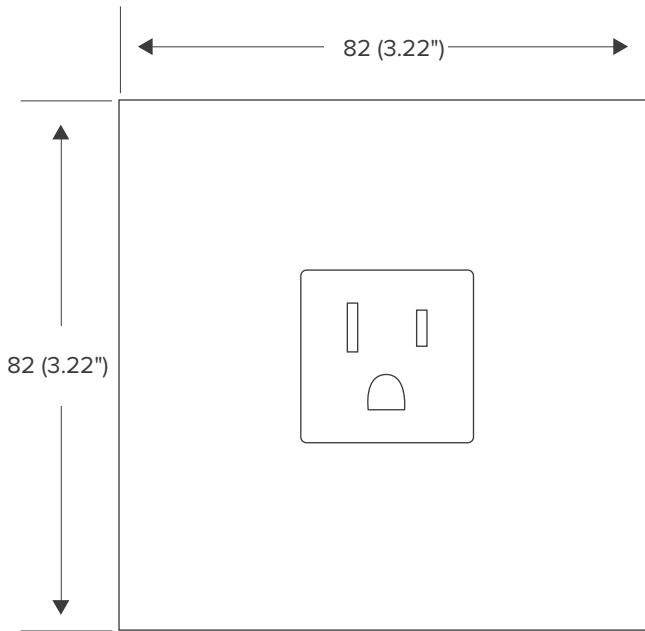
CARE / CLEANING INSTRUCTIONS

To protect the integrity of the finish, no chemicals or cleaning solutions should ever be used. Dry dust rags or microfiber cloths only.

WALL OUTLETS – 82 MM || DIMENSIONAL DRAWINGS

DIMENSIONAL DRAWINGS

Measurements: mm (inches)



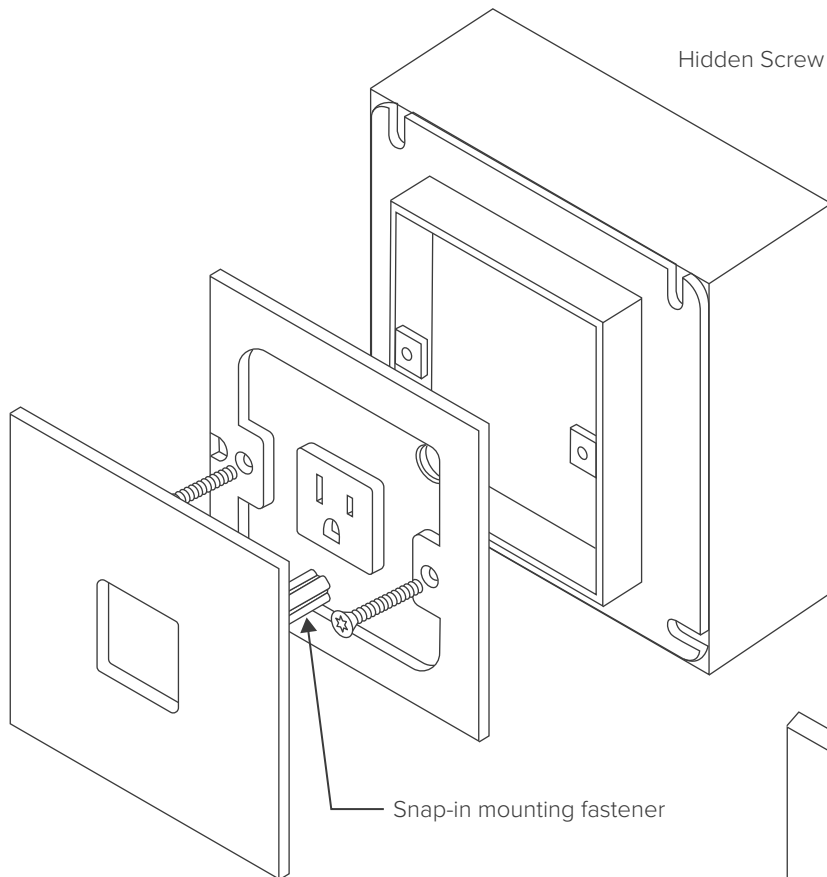
WALL OUTLETS – 82 MM || MOUNTING DRAWINGS

BACK BOX

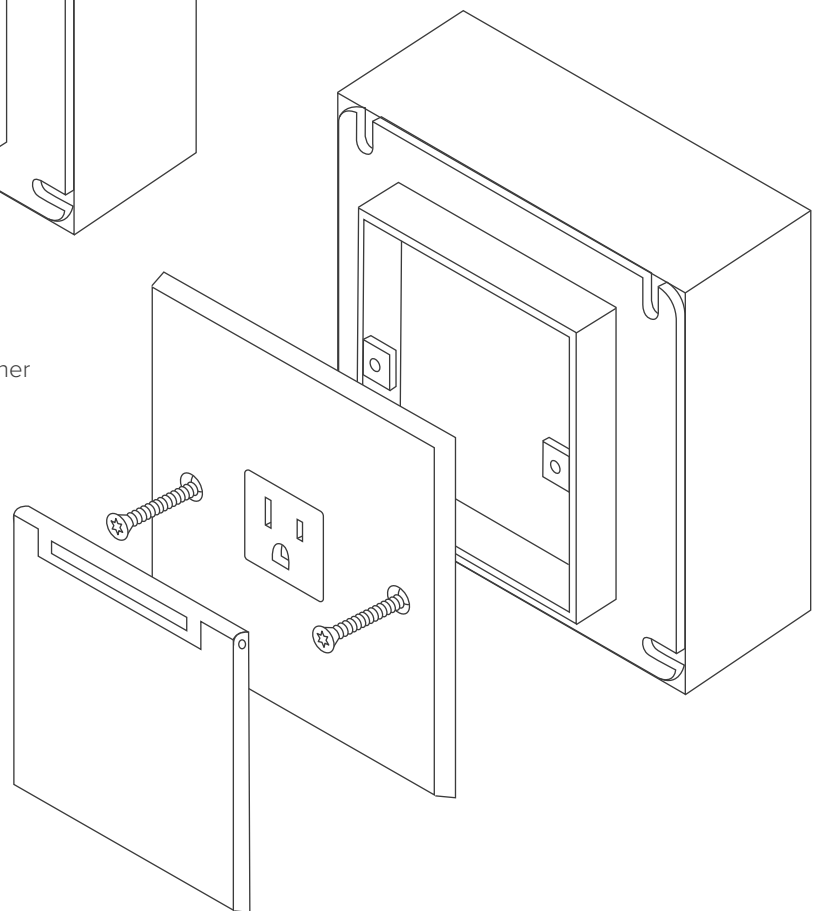
MELUS8282R - Metal Ring for Standard Junction Box

Please see our [Plate Size and Back Box Guide](#) for more information.

Hidden Screw Plate Construction



Visible Screw Plate Construction



WALL OUTLETS – 82 MM || SPECIFICATION SHEET

PROJECT NAME: _____

SPECIFIER: _____

PLATE FINISH: _____

SCREW TYPE Select one

- Visible - Torx Head
- Visible - Slot Head
- Hidden

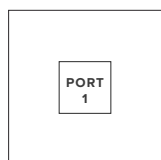
EDGE TYPE Select one

- Beveled
- Straight

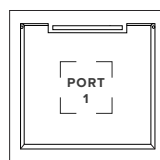
RECEPTACLES AND PORTS Select one

- | | | |
|--|--|--|
| <input type="checkbox"/> 15A 125VAC TR Receptacle - Black | <input type="checkbox"/> USB-A Charging Port (2.1A 5VDC) | <input type="checkbox"/> Speaker Binding Posts |
| <input type="checkbox"/> 15A 125 VAC TR Receptacle - White | <input type="checkbox"/> RJ45 Data Receptacle (Cat6) | <input type="checkbox"/> HDMI Port |
| <input type="checkbox"/> 20A 125VAC TR Receptacle - Black | <input type="checkbox"/> RJ11 Phone Jack Receptacle | <input type="checkbox"/> Cable Pass-Thru |
| <input type="checkbox"/> 20A 125VAC TR Receptacle - White | <input type="checkbox"/> F Connector Cable Receptacle | |

CONFIGURATIONS Select one



No Cover



Single Cover

Note: if an alternate configuration is required, please contact Meljac North America for confirmation.