

PRODUCT INFORMATION AND SPECIFICATION SHEET

DOUBLE FLOOR OUTLET



DOUBLE FLOOR OUTLET || PRODUCT INFORMATION

DESCRIPTION

Meljac's double floor outlet assembly can accommodate two power receptacles or up to four low-voltage ports. Outlet must be flush mounted in wood, tile, stone or concrete. The specified components are included with the plate assembly.

For new construction only.

Made in France.

PERSONALIZED PLATE DETAILS

FINISHES

Cover plates are made-to-order in any of the finishes included in the [Meljac Finish Catalog](#). Meljac offers over 30 finishes in materials including chrome, copper, gunmetal, nickel, brass and bronze.

Powdercoating is available in any specification from the [RAL Color Chart](#).

Custom-matched finish options are also available, dependent upon project size and finish details.

RECEPTACLE AND PORT OPTIONS

- 15A 125VAC TR Receptacle (Black or White)
- 20A 125VAC TR Receptacle (Black or White)
- USB-A Charging Port (2.1A 5VDC)
- RJ45 Data Receptacle (Cat6)
- RJ11 Phone Jack Receptacle
- Speaker Binding Posts
- F Connector Cable Receptacle
- Cable pass-through

Please contact Meljac North America for any specialized port requests or questions.

GFI/GFCI LOCATIONS

Meljac does not offer a GFI receptacle. To satisfy code in locations like kitchens or bathrooms, our standard 15A or 20A receptacles can be used with a GFCI breaker at the electrical panel or by using an inline GFI device.

BACK BOX

MELUSFL180 - Metal back box with rubber gasket.

See our [Plate Size & Back Box Guide](#) for more information.

Proprietary Meljac back boxes are stocked and available for immediate purchase from Meljac North America.

CERTIFICATION

Conforms to UL 514A and CSA22.2 18
IP20



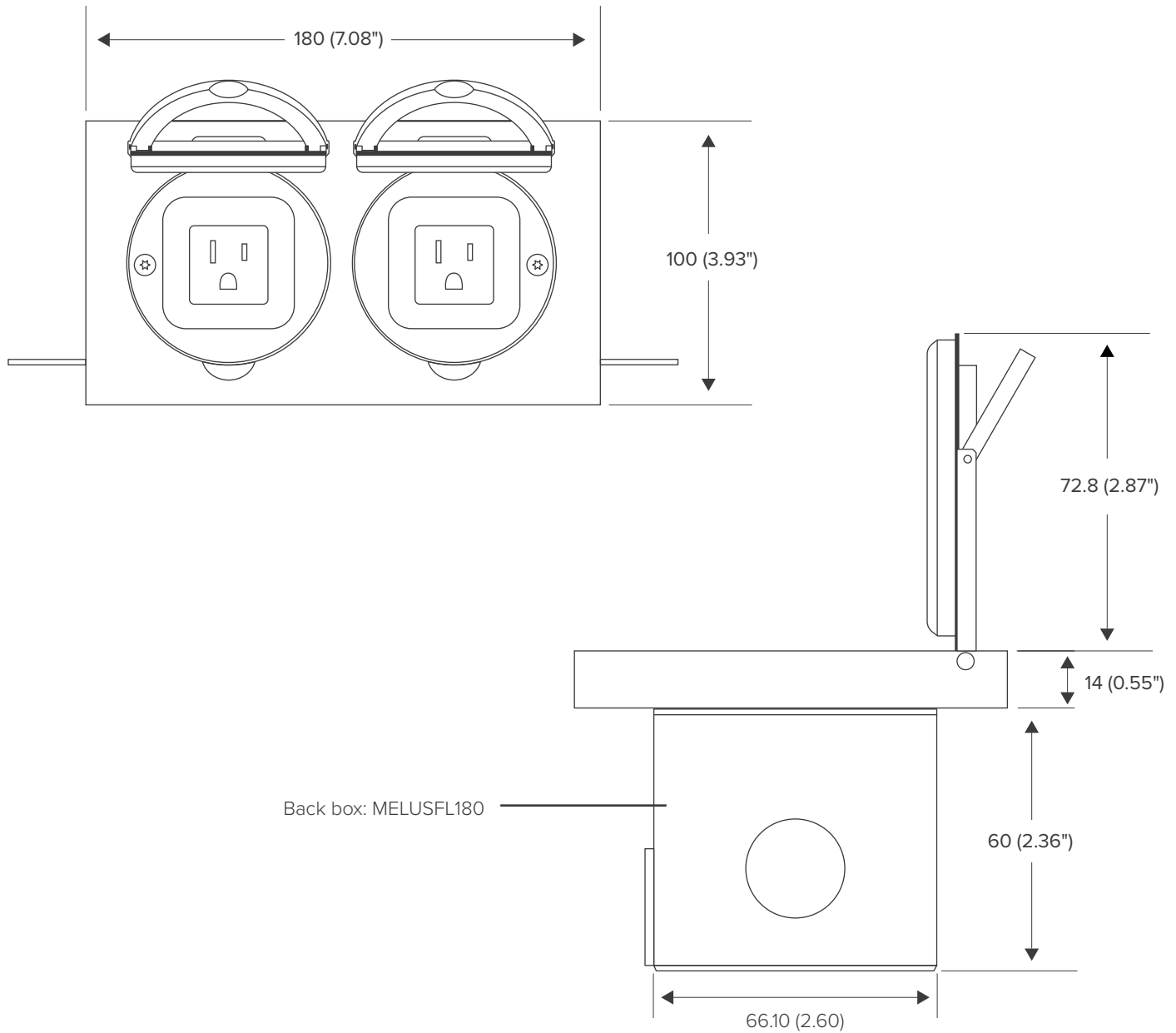
CARE / CLEANING INSTRUCTIONS

To protect the integrity of the finish, no chemicals or cleaning solutions should ever be used. Dry dust rags or microfiber cloths only.

DOUBLE FLOOR OUTLET || DIMENSIONAL DRAWINGS

DIMENSIONS & DRAWINGS

Measurements: mm (inches)

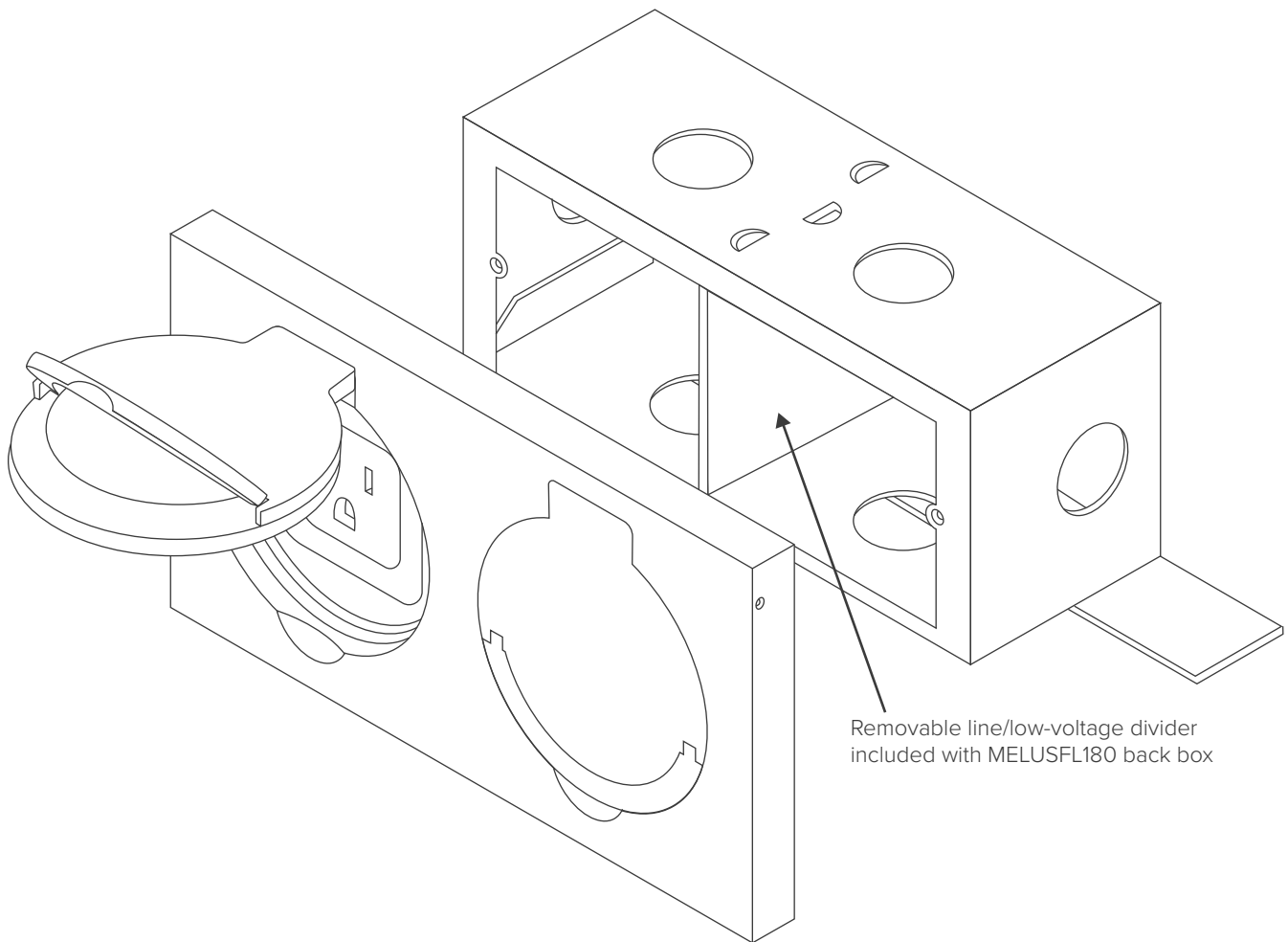


DOUBLE FLOOR OUTLET || MOUNTING DRAWINGS

BACK BOX

MELUSFL180 - Metal Back Box with Water-Resistant Rubber Gasket

Please see our [Floor Outlet Installation Guide](#) for more information.



DOUBLE FLOOR OUTLET || SPECIFICATION SHEET

PROJECT NAME: _____

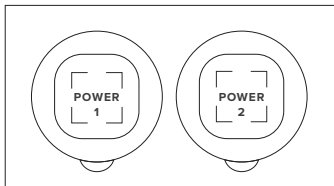
SPECIFIER: _____

PLATE FINISH: _____

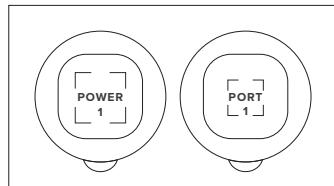
RECEPTACLES AND PORTS Select one

- | | | |
|--|--|--|
| <input type="checkbox"/> 15A 125VAC TR Receptacle - Black | <input type="checkbox"/> USB-A Charging Port (2.1A 5VDC) | <input type="checkbox"/> Speaker Binding Posts |
| <input type="checkbox"/> 15A 125 VAC TR Receptacle - White | <input type="checkbox"/> RJ45 Data Receptacle (Cat6) | <input type="checkbox"/> HDMI Port |
| <input type="checkbox"/> 20A 125VAC TR Receptacle - Black | <input type="checkbox"/> RJ11 Phone Jack Receptacle | <input type="checkbox"/> Cable Pass-Thru |
| <input type="checkbox"/> 20A 125VAC TR Receptacle - White | <input type="checkbox"/> F Connector Cable Receptacle | |

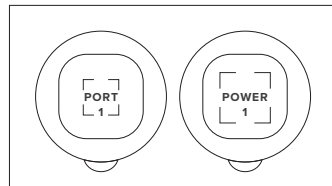
CONFIGURATIONS Select one



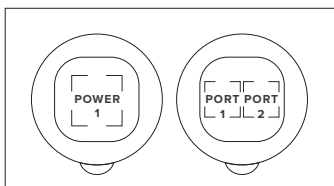
Duplex Power Receptacles



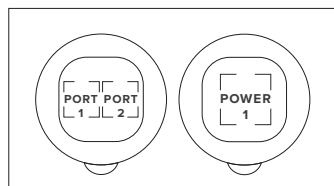
Power Receptacle + Low Voltage Port



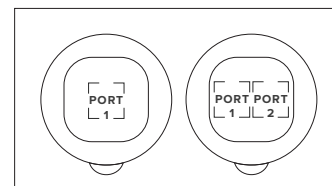
Low Voltage Port + Power Receptacle



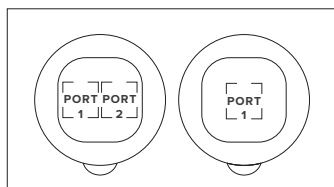
Power Receptacle + Two Low Voltage Ports



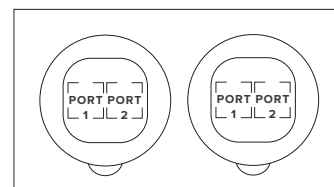
Two Low Voltage Ports + Power Receptacle



Low Voltage Port + Two Low Voltage Ports



Two Low Voltage Ports + Low Voltage Port



Two Low Voltage Ports + Two Low Voltage Ports

Note: if an alternate configuration is required, please contact Meljac North America for confirmation.