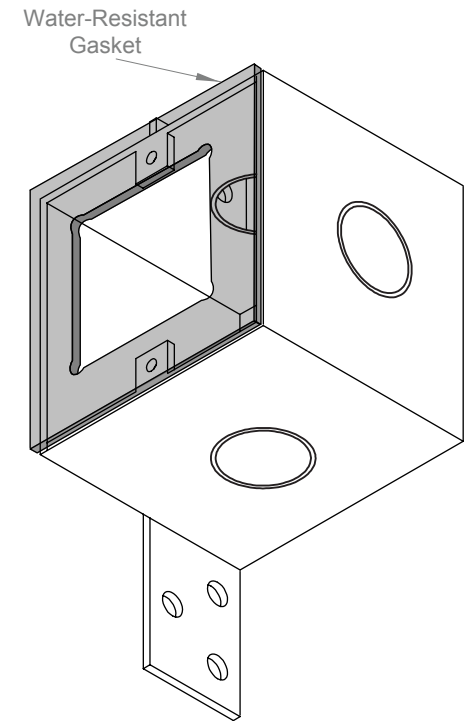
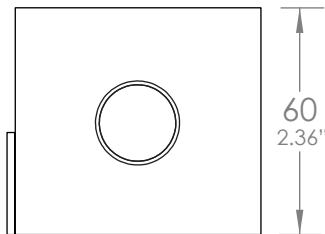
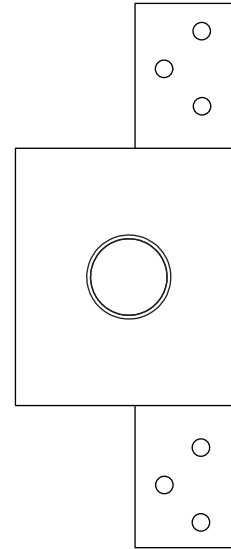
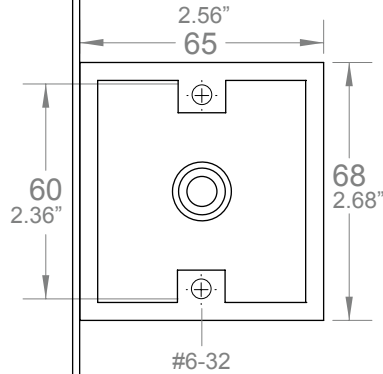
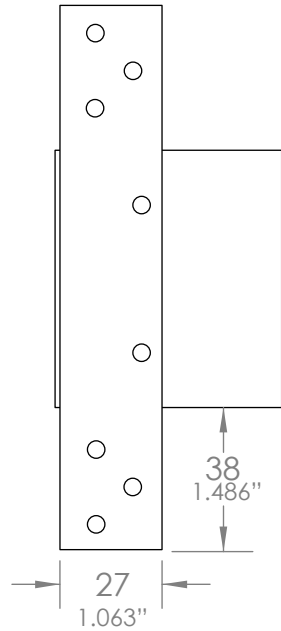


# MELJAC

NORTH AMERICA



## MELUSFL100

UNLESS OTHERWISE SPECIFIED:  
DIMENSIONS ARE IN mm's

SCALE: 1:2

100 x 100 Floor Box

**65 x 68 x 60**