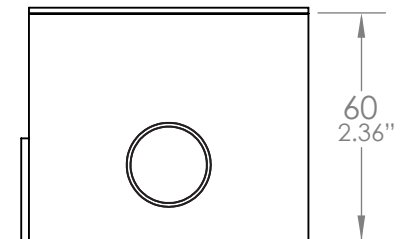
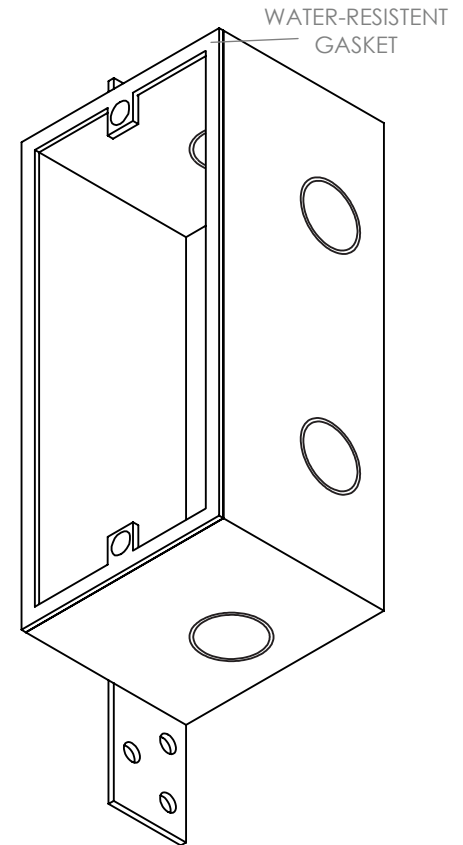
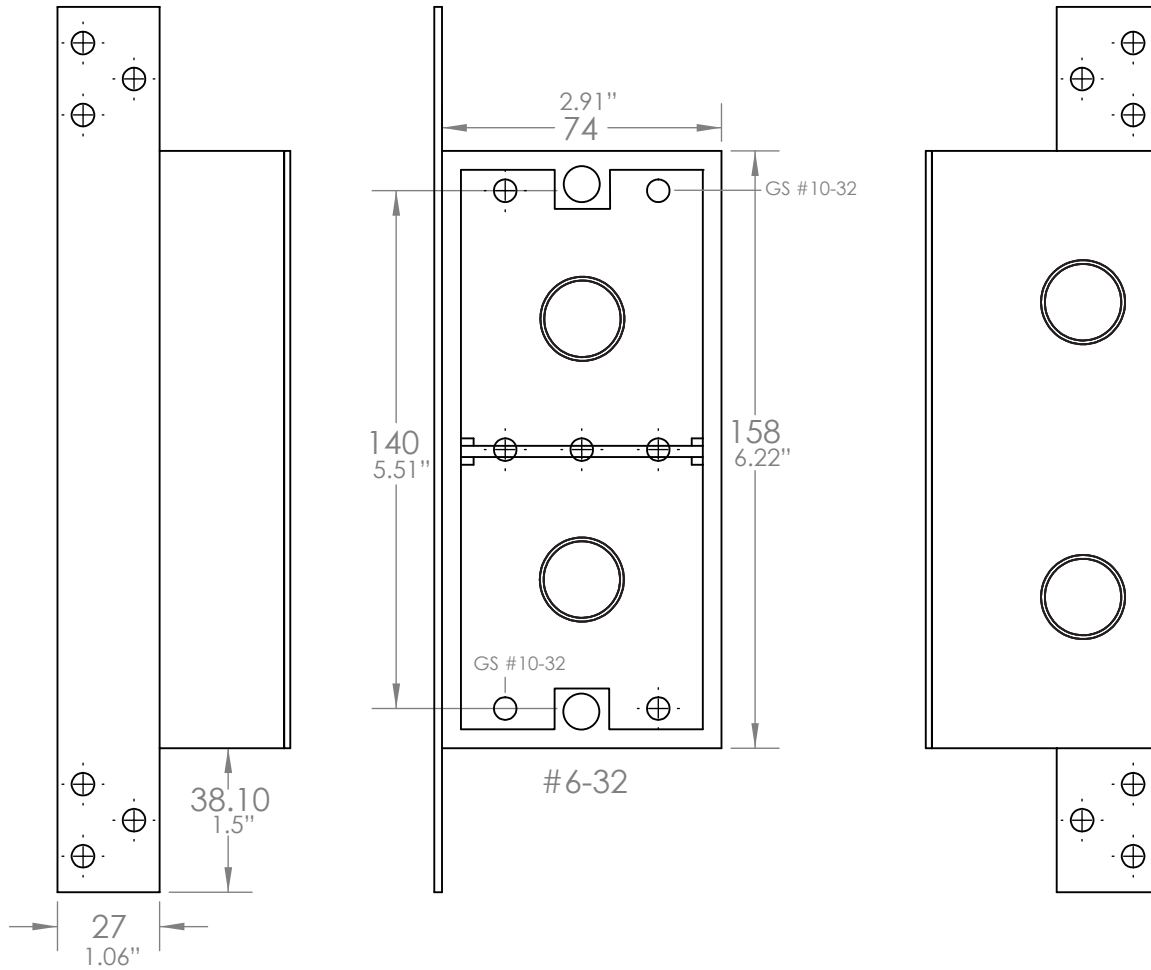


MELJAC

NORTH AMERICA



MELUSFL180

UNLESS OTHERWISE SPECIFIED:
DIMENSIONS ARE IN mm's

SCALE: 1:2

100 x 180 Floor box

74 x 158 x 60

NOTE: Includes removable divider

USUFL 18050